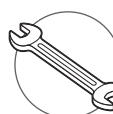
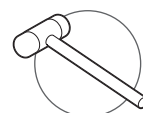
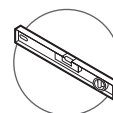
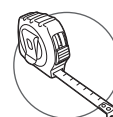
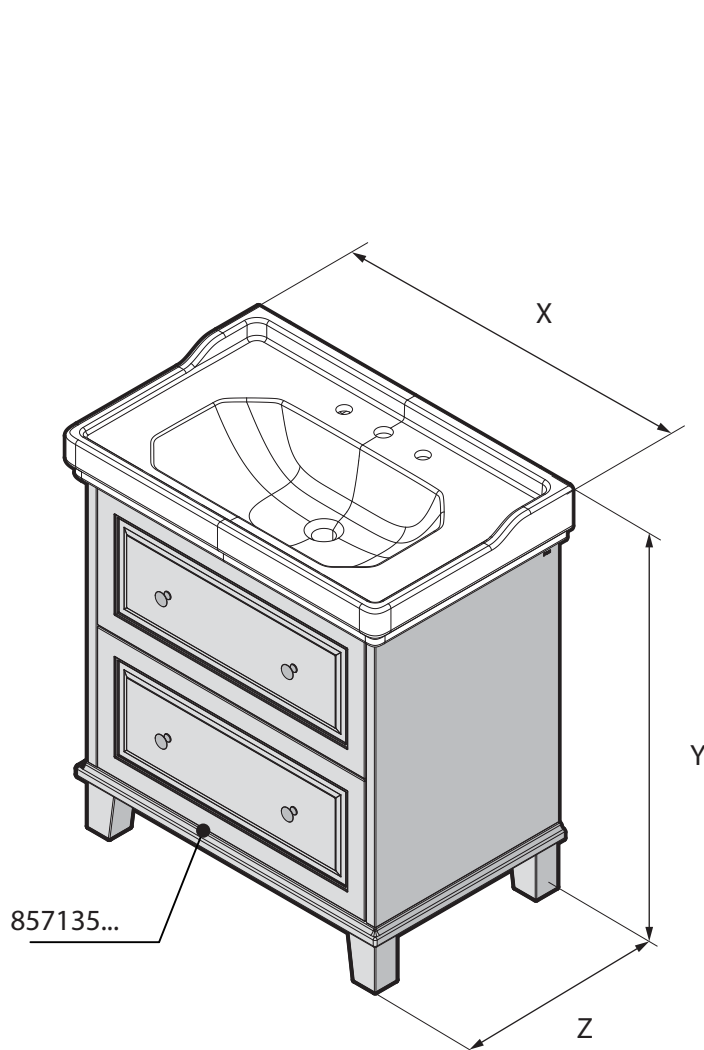


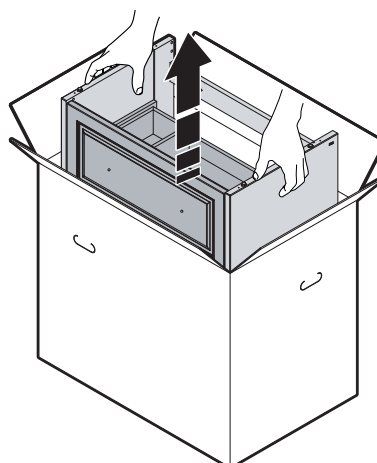
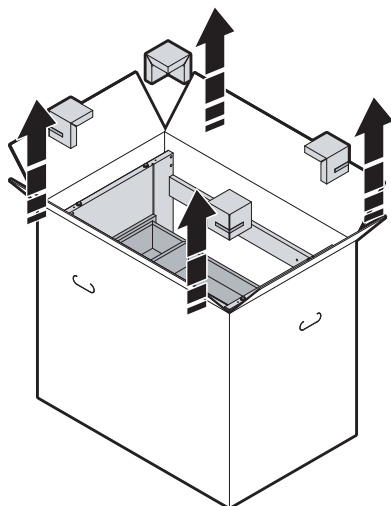
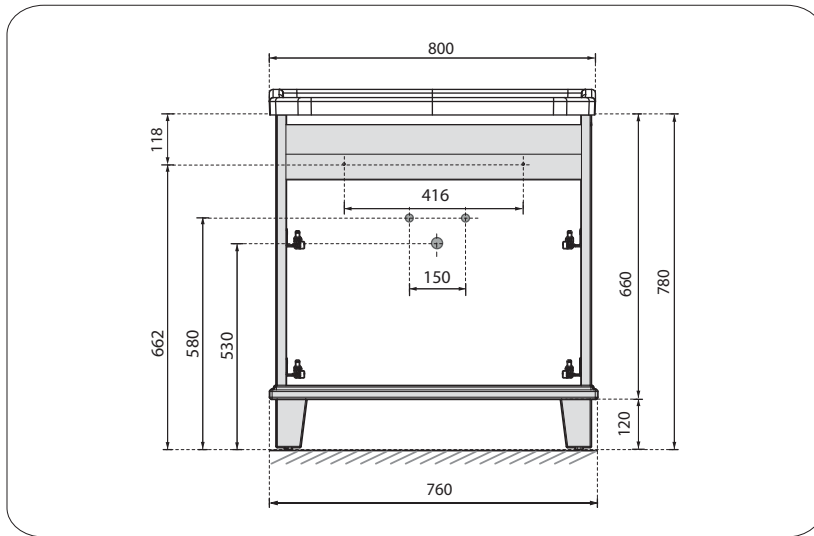


Roca

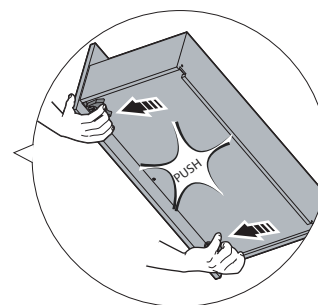
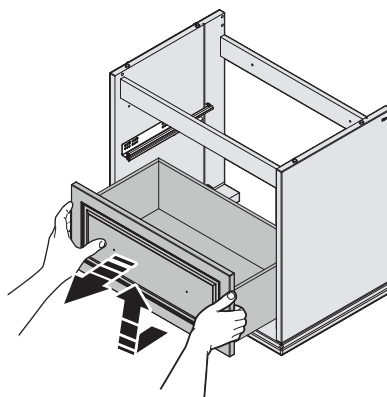
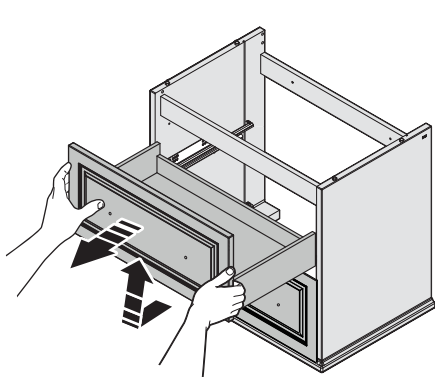
CARMEN



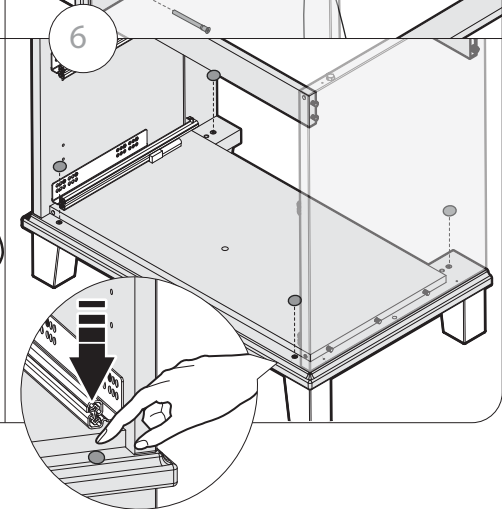
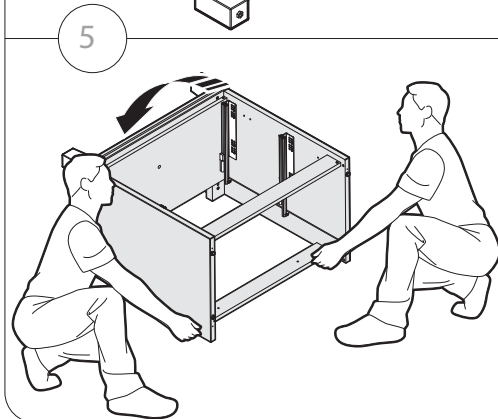
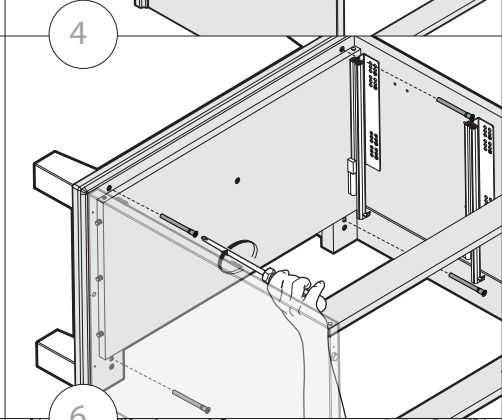
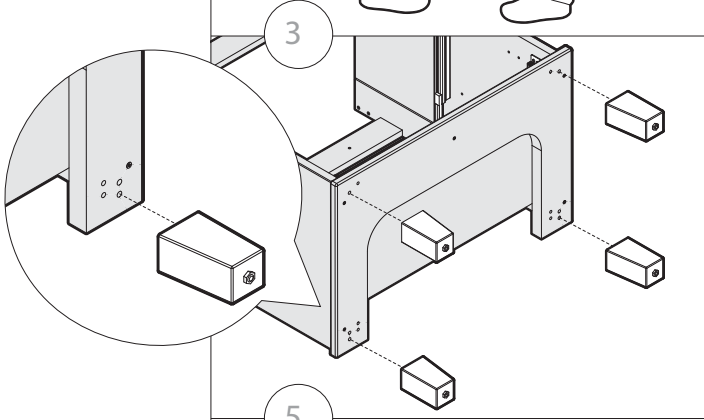
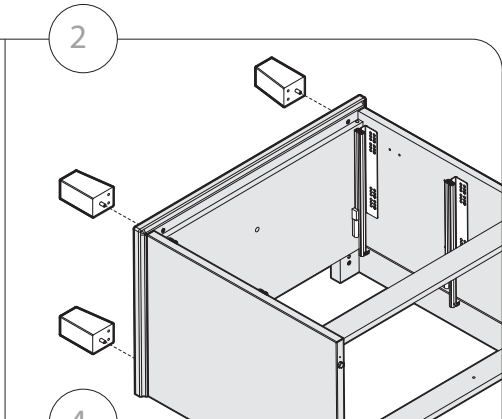
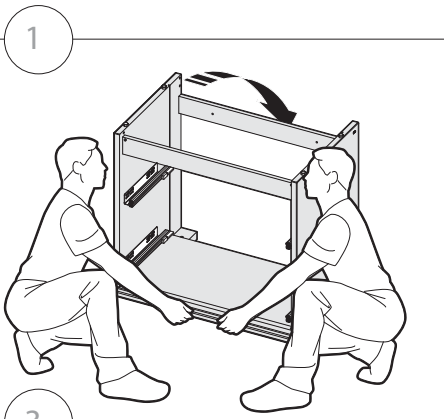
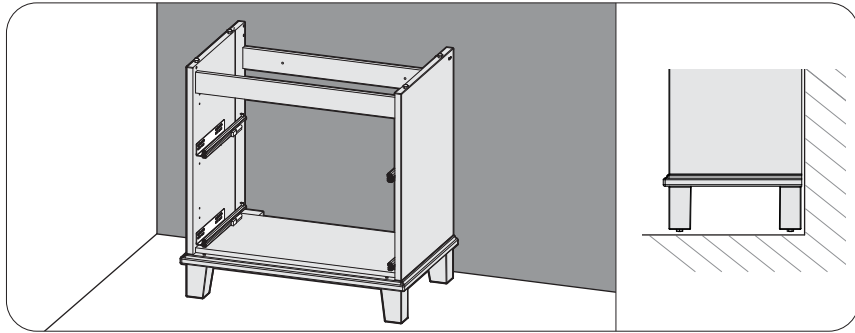
	mm		
	X	Y	Z
857135...	800	900	480



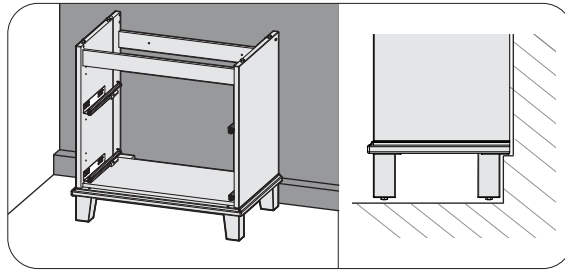
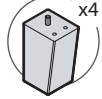
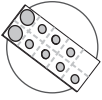
1



2 | OPTION A



2 | OPTION B



1. Two people are shown assembling the main frame of the cabinet.

2. The side panels are attached to the frame using four brackets.

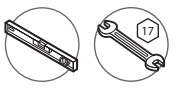
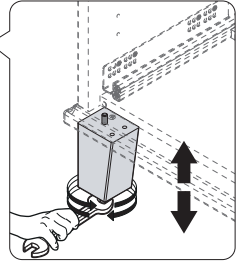
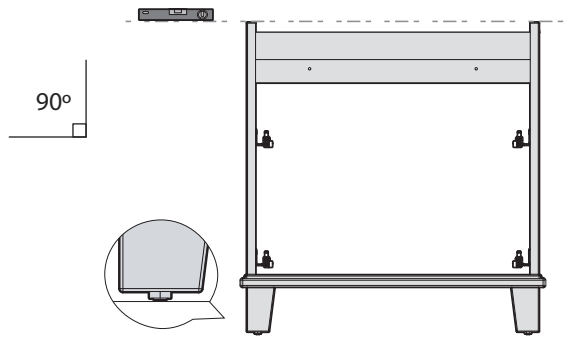
3. A close-up shows the brackets being secured to the side panels with screws.

4. The top panel is attached to the frame using two brackets.

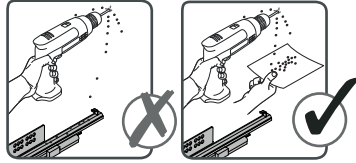
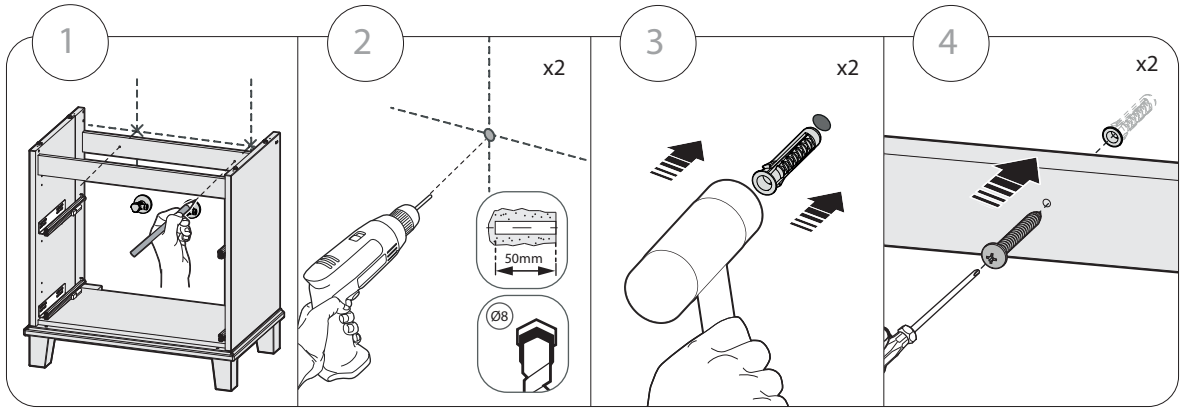
5. The bottom panel is attached to the frame using two brackets.

6. The top panel is secured to the side panels using two screws. A close-up shows the screws being inserted into the top panel.

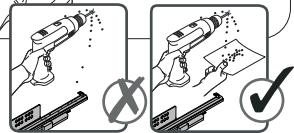
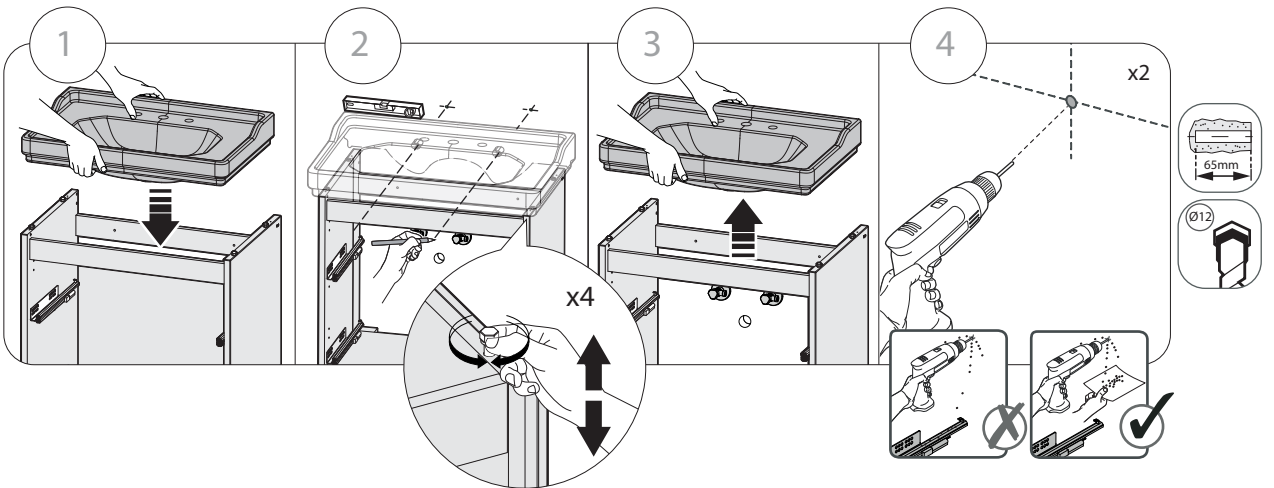
3



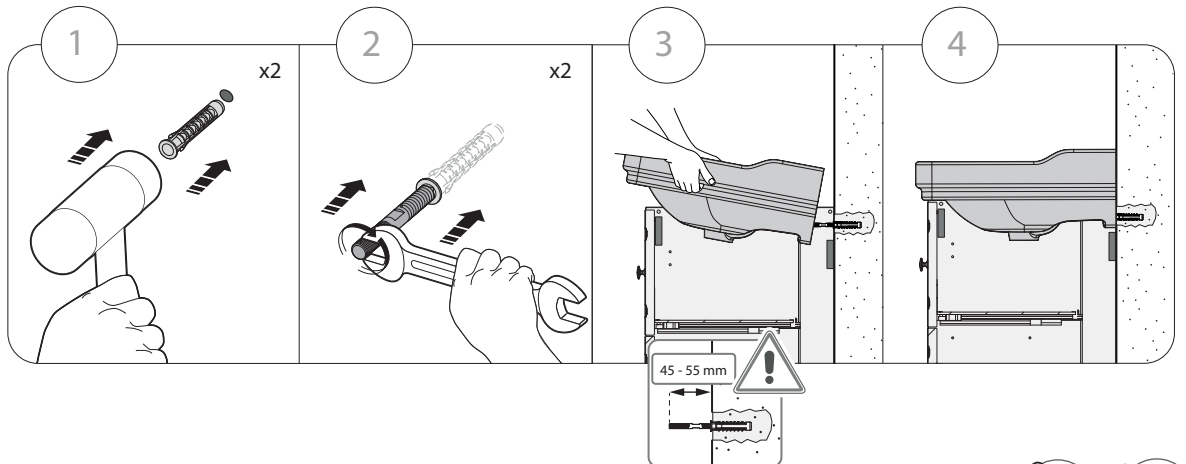
4



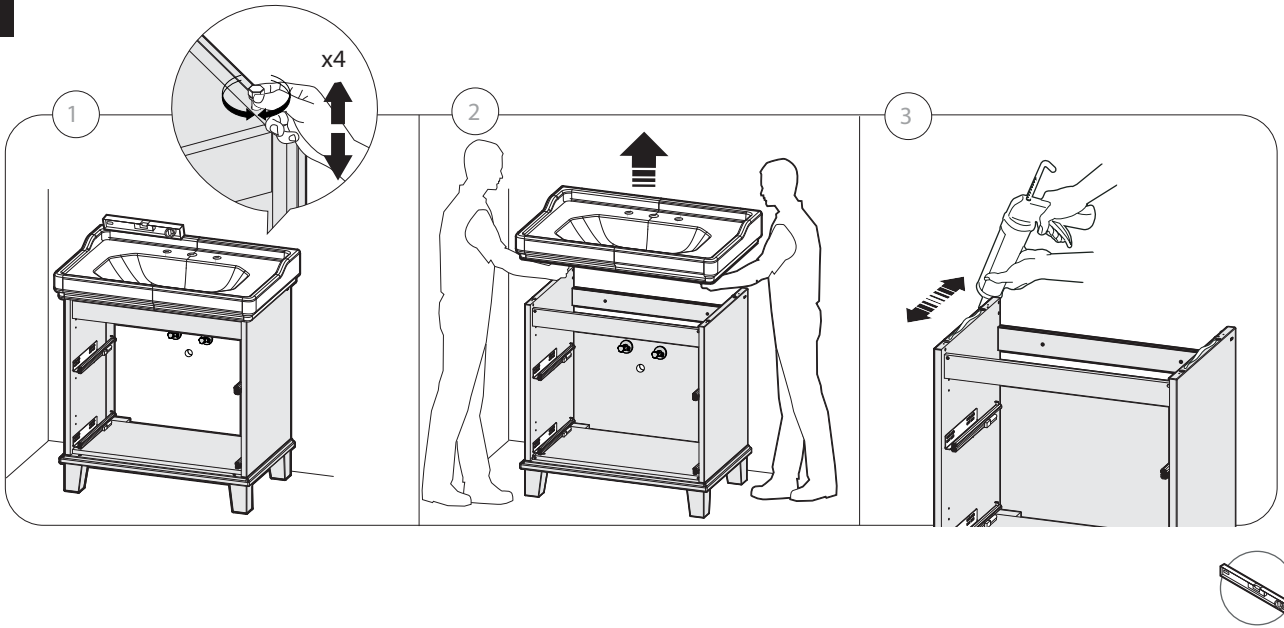
5



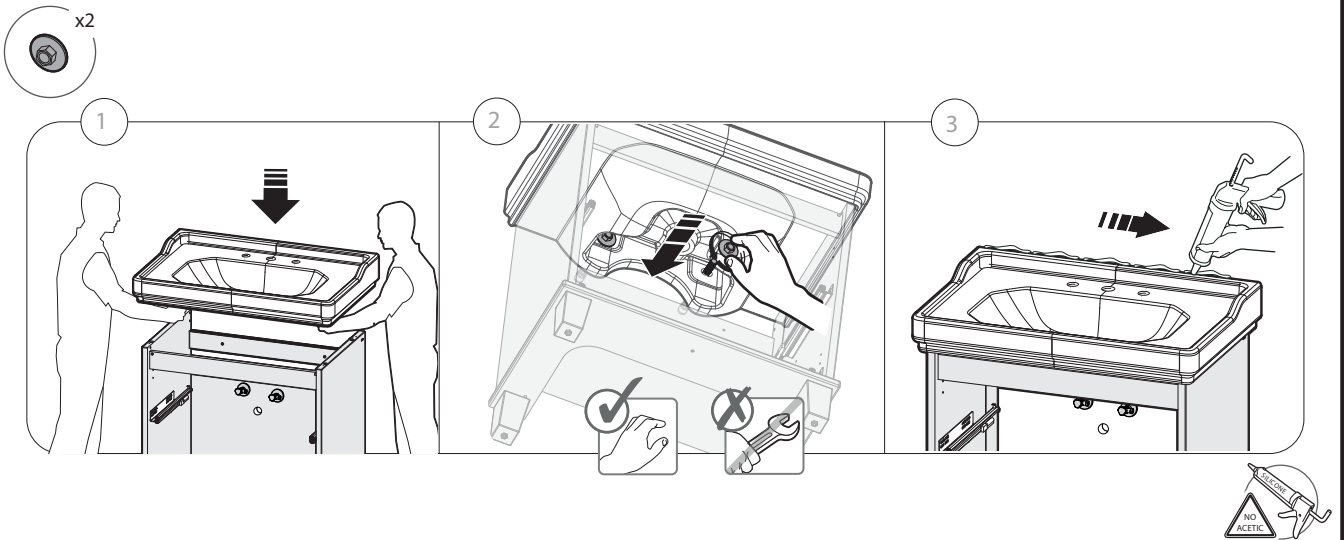
6



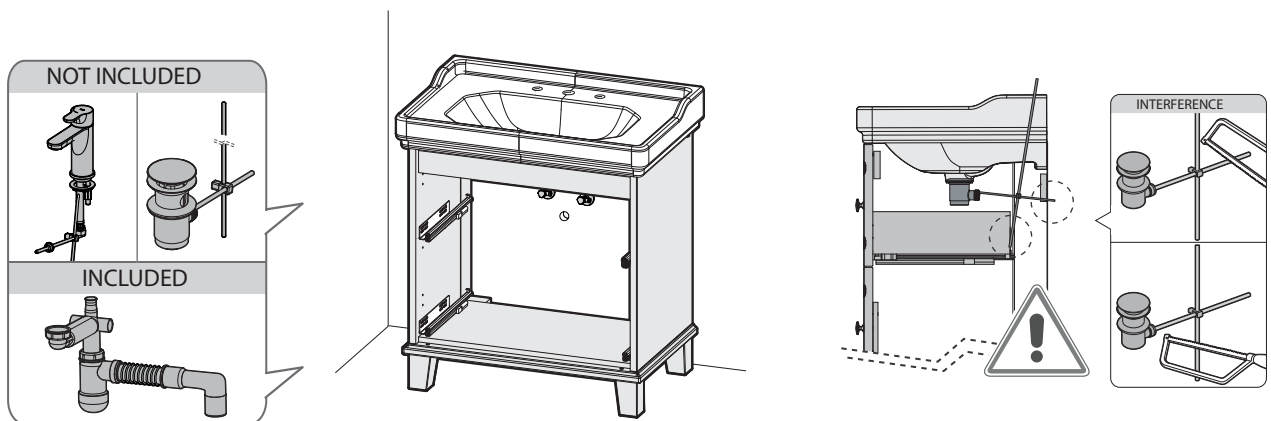
7



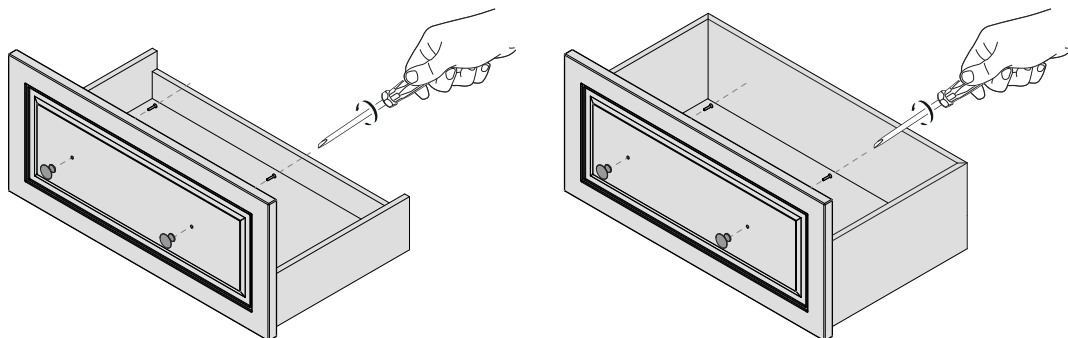
8



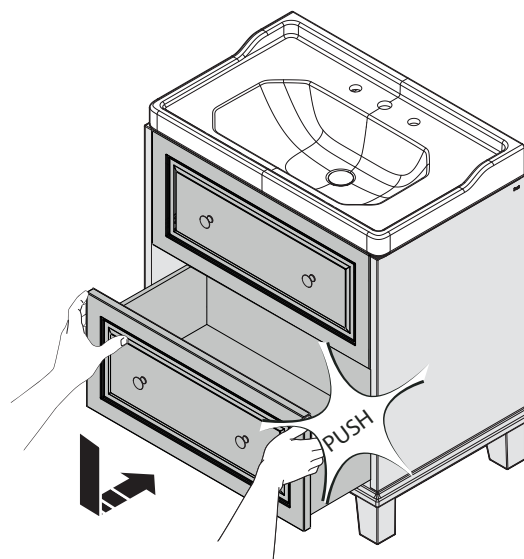
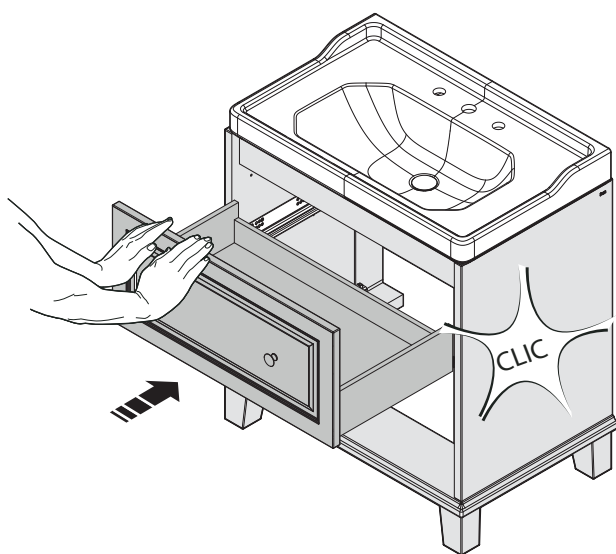
9



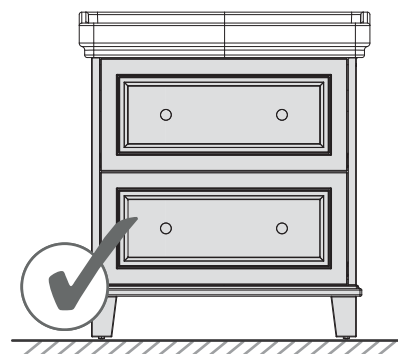
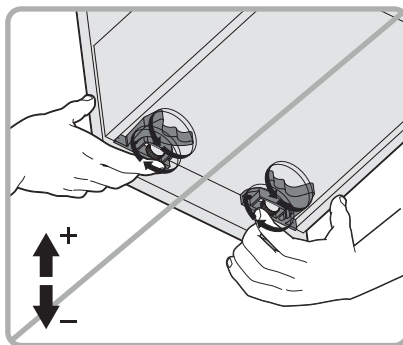
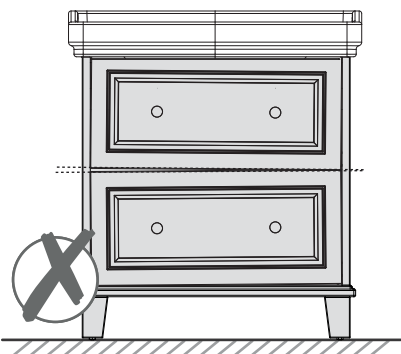
10

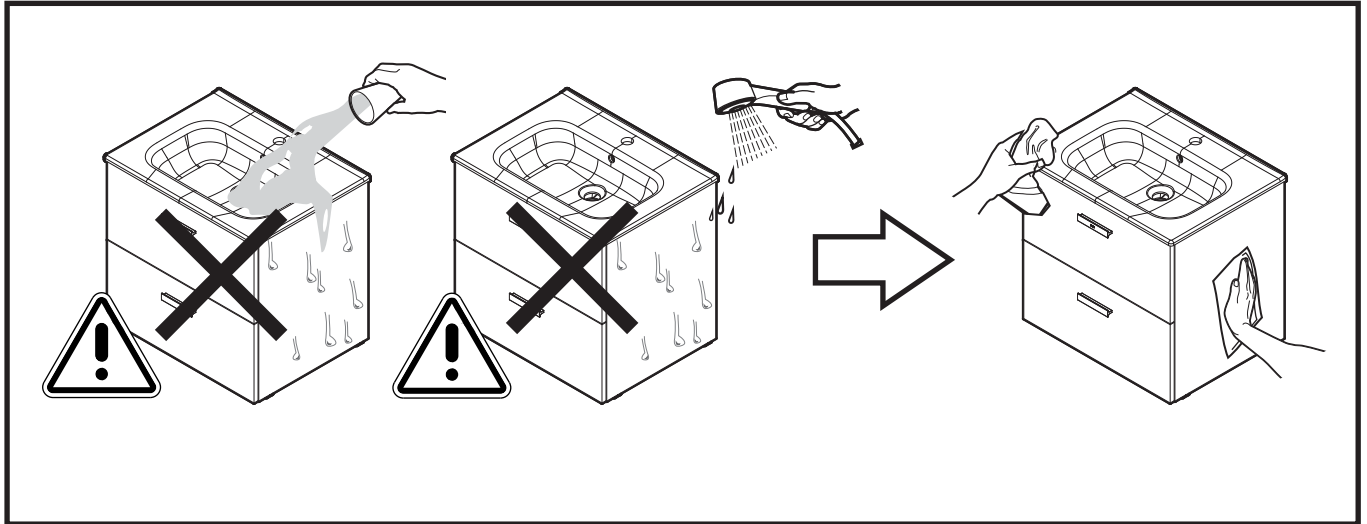
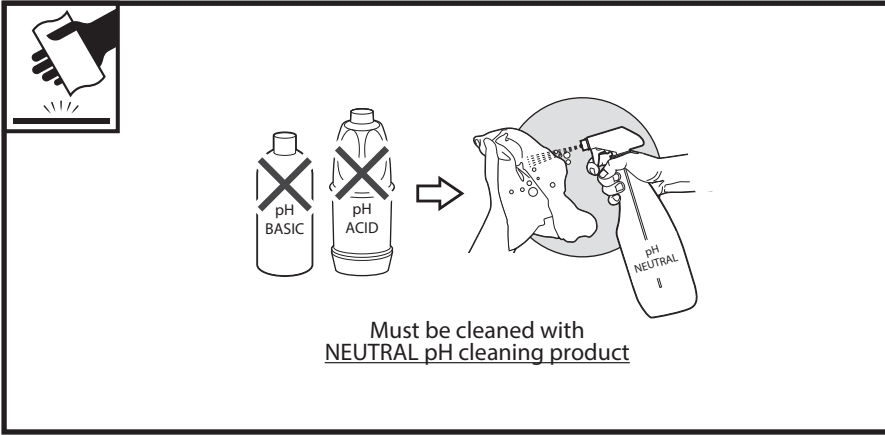


11



12





DIN A3



Roca Sanitario, S.A.
 Avda. Diagonal, 513
 08029 Barcelona
 SPAIN
www.roca.com

933 661 266 LÍNEA DE ATENCIÓN
 AL CONSUMIDOR
 ESPAÑA 
 SERVICIO TÉCNICO
 ESPAÑA 


productsupport.rs@roca.net
soporteproducto.rs@roca.net

Q40600124G-b